

CREATY Drum and Drum Twin

Innovative drum type roman blind,

CREATY



Creaty Drum Twin

Topics:

1 Three Unique Features

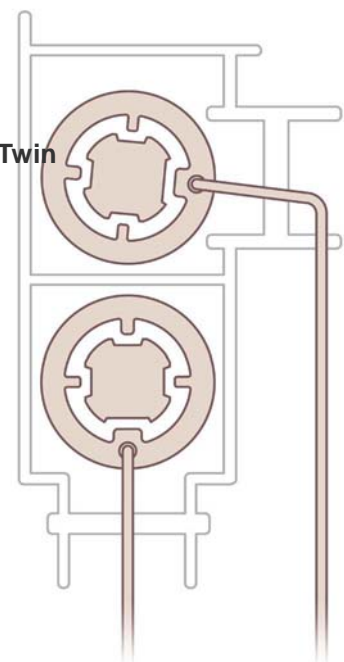
- (a) Newly Designed Compact Head Rails
- (b) Selectable the One or Two-ends operation, Creaty Drum Twin
- (c) Creaty for Small to Large Windows

2 Operation of Creaty and the Refined Components

- (a) "Relay" Clutch System
- (b) Speed Controller for the safety
- (c) Creaty Pulley and Ball Chain
- (d) Recoiling Drum
- (e) ~ and more

3 Product General Description, Part Names, and Diagrams

- (a) Creaty Drum
- (b) Creaty Drum Twin



CREATY Drum and Drum Twin

Topics:

1 Three Unique Features

(a) Newly Designed Compact Head Rails

Reducing 20% compare to New Dispa’s sectional area, Creaty head rail is compact and yet strong.

By vertically lining up the systems, Creaty Drum Twin head rail is compact and slim. “Two-story” Creaty Drum Twin hardware fits neatly onto the window frame and creates a well-dressed window with twin blinds.

LEFT: “Two-story” head rail
Creaty Drum Twin
(sectional view)



RIGHT: “Eyelet-less” rear blind
Creaty Drum Twin (rear view)



(b) One-end or Two-ends Operation, Creaty Drum Twin

With our full range of components, Creaty Drum and Creaty Drum Twin are available in One-end (Right or Left sided) operation selectively. Two-ends operation (operate one blind on each side) is also available for Creaty Drum Twin, to meet various demands.



(c) Creaty for Small to Large Windows

Creaty covers from 400mm up to 4000mm wide, applicable to small to large windows.

	Minimum	Maximum
Width	400 mm	~ 4000 mm
Height	480 mm	~ 3000 mm

2 Operation of Creaty and the Refined Components

Operating roman blind is as easy as ever. With innovative “Relay” clutch system, Creaty offers one-handed operation.



To raise the blind:

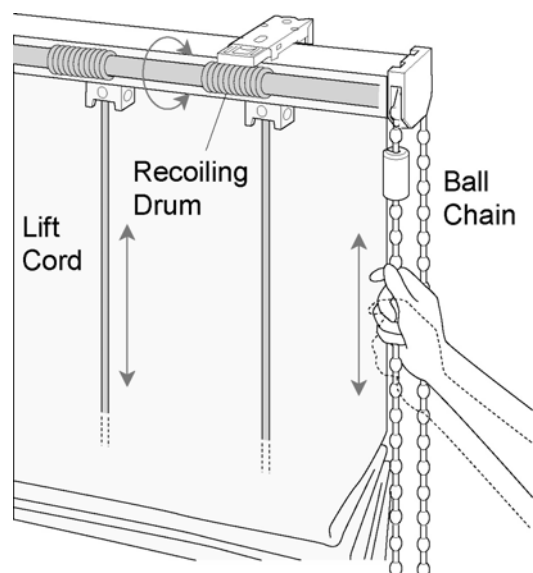
Pull down the ball chain, and simply release the chain to stop at desired elevation.

To lower the blind:

Pull the ball chain for 2 cm, blind comes down.

(a) **“Relay” Clutch System**

- Releases when the ball chain is pulled by 2cm.
- Stops when the ball chain is pulled more than 2cm.
- Enables One-handed relay operation.



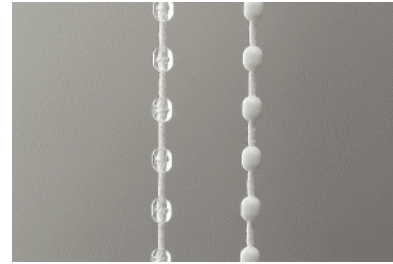
(b) **Speed Controller**

- Brakes lowering speed to prevent sharp fall of the blinds.
- Maintains a steady speed regardless of load.
- Compact and durable.
- One Speed Controller for one blind regardless of load.

CREATY Drum and Drum Twin

(c) Pulley and Ball Chain

- Pulling the chain by 1.4m raises the blind by 1m.
- To raise 1kg, pull the chain with force of 0.7kg.
- Cover easily removed for the ball chain replacement.
- Improved appearance with unique and new clear beaded Creaty Ball Chain.

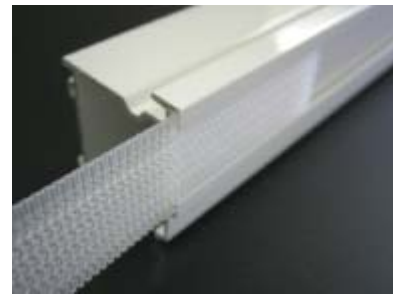


(a) Recoiling Drum

- Compact drum that stably and neatly recoils 3M length of $\Phi 1.2$ lift cord.
- Easy attaching and removing of the lift cord from the Slide Ring.
- Screw-less fix and release knob for positioning of the drum.

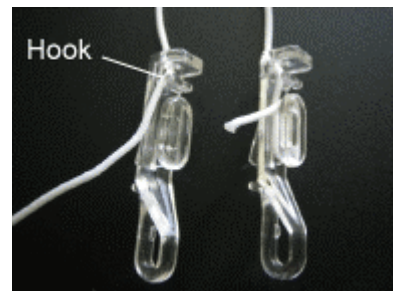
(b) Slide-in Velcro

- Velcro inserted to the head rails.
- Reduces loss of Velcro Tape in comparison to Velcro-attached head rails.



(c) Cord Adjuster

- Simple structured, and easy to work with.
- The "hook" holds the lift cord at desired position while adjusting the height.



(d) S-shape Ring

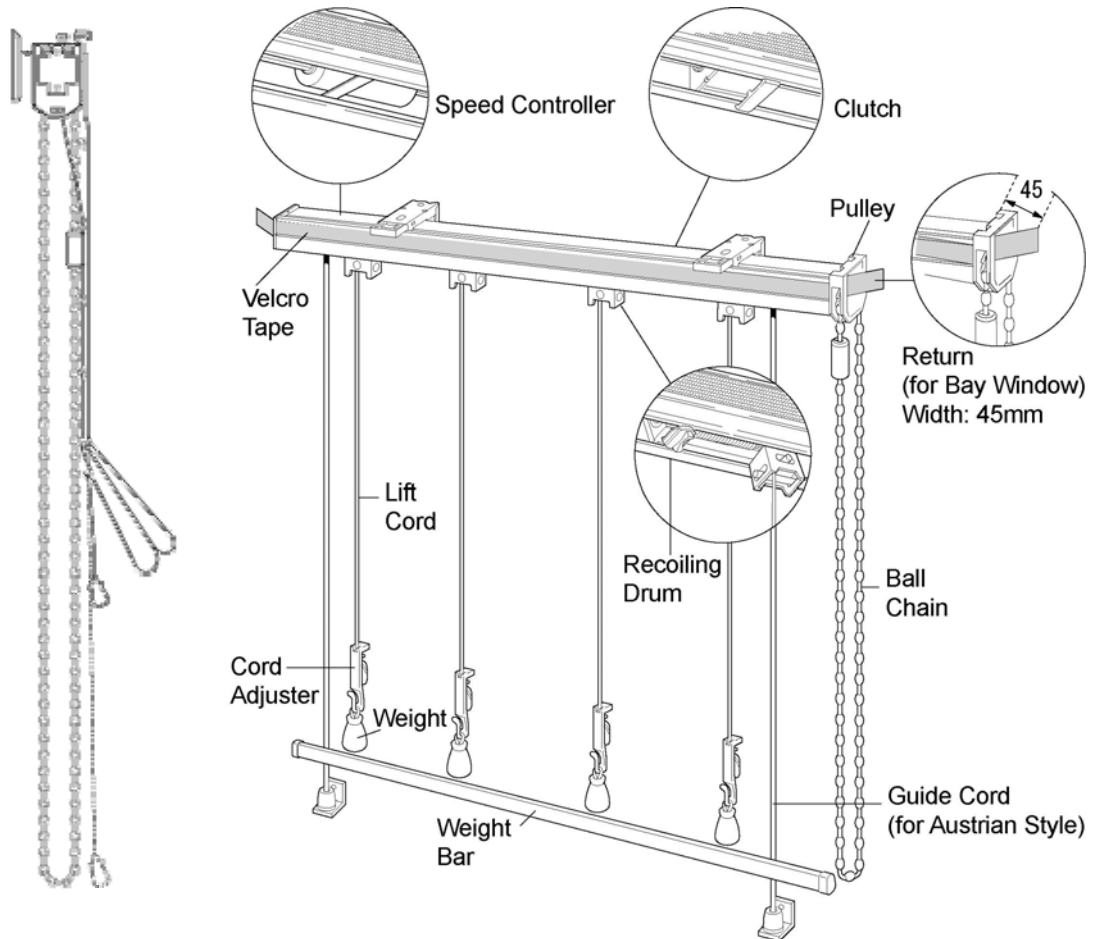
- No more missed rings or do over in attaching blinds.
- Simply slide the cord into the S-shape Ring, from the side.



Product General Description, Part Names, and Diagrams

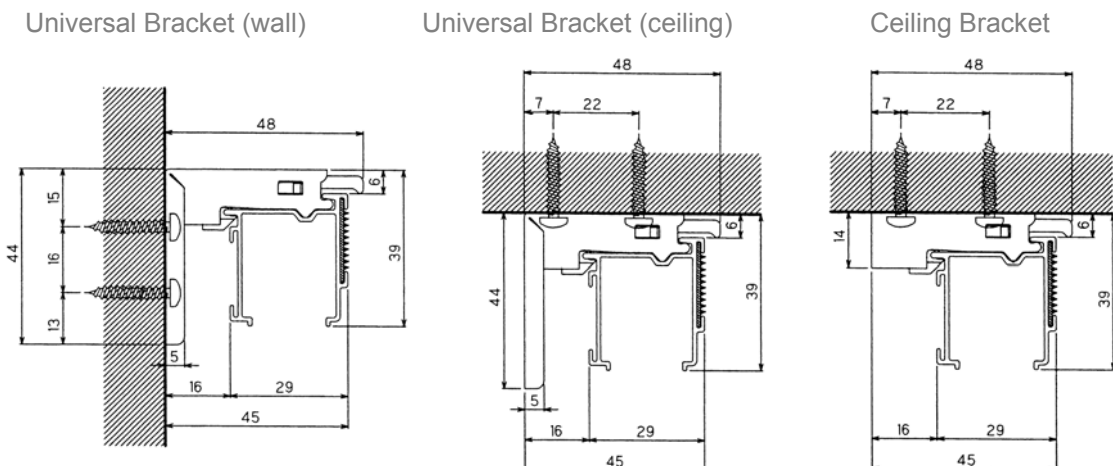
(e) Creaty Drum (Single)

- Sectional and Overall View



- Allowable load: 5 kg
- Corner Joints: available for Bay Windows, link-able up to 5 blinds.
- Linked Blind Maximum Dimension: Width 4000mm, Height 3000mm.
- Universal and Ceiling Type, easy snap-in brackets.

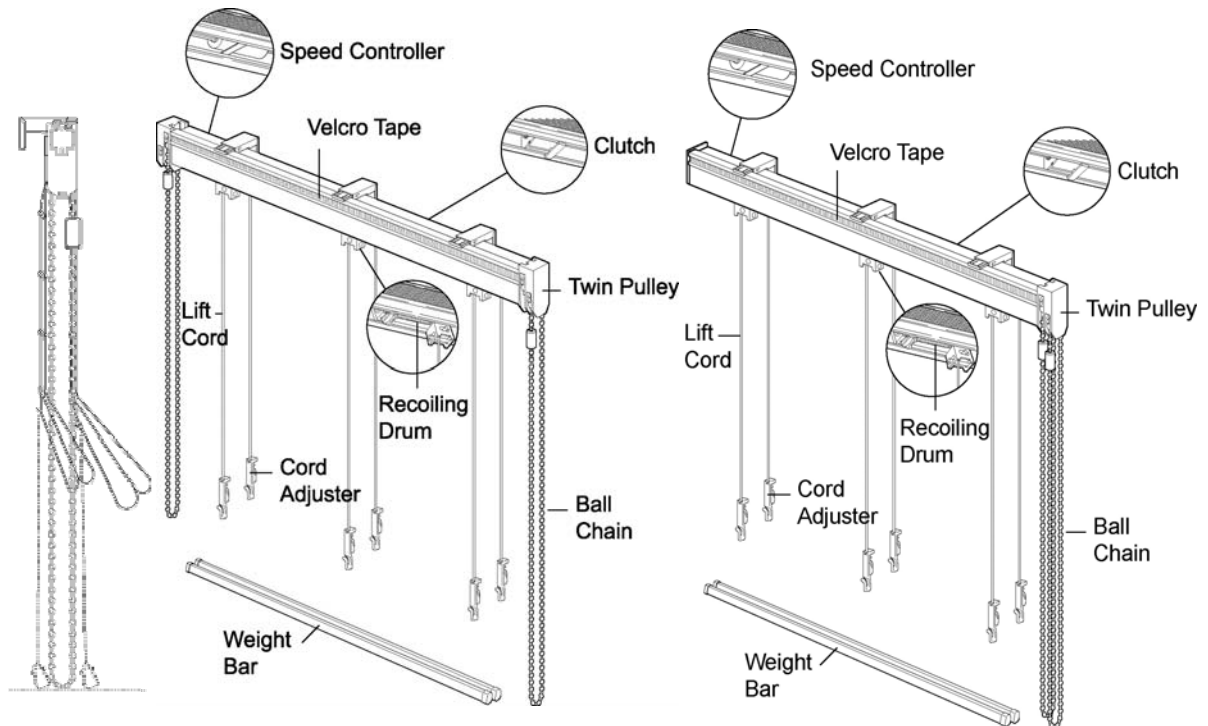
[Universal and Ceiling Bracket Installation Diagram]



CREATY Drum and Drum Twin

(f) Creaty Drum Twin

- Sectional and Overall View



Two-ends Operation

One-end Operation

- Allowable load: 8 kg in total of two blinds. (One of blinds must be within 5kg)
- Two blinds on one head rail. (Two-story head rail.)
- Selectable from One-end or Two-ends operations.
- Punching eye-let unnecessary for rear blind, easy sewing of blinds.
- Universal and Ceiling Type, easy snap-in brackets.

[Universal and Ceiling Bracket Installation Diagram]

Universal Bracket (wall)

Universal Bracket (ceiling)

Ceiling Bracket

